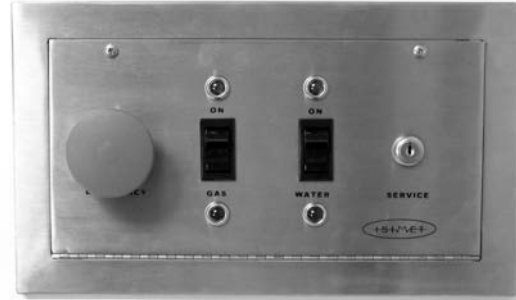


**Utility Controller - Limited Application  
Single or Dual Output Circuits**

**Ver 4.42pcb PN 14996**

**(having 24-vac; and 12-vac or 12-vdc output circuit)**

**Installation, Operations, Start-up and  
Maintenance Instructions**



**Meets all Standards for Canadian Industrial Control Panels**



**Application:**

The LA Series Controller operates as a single or dual output controller where the application does not require the positive remote enabling authority or monitoring capabilities typically anticipated when specifying our Standard Utility Controller.

This unit is ideally suited for the classroom where the instructor’s desk is the only workstation having utilities present or where restricted operation of a single utility, such as natural gas, is required.

<b>Table of Contents:</b>	
	<u>Page</u>
Warranty.....	2
Enclosure Specifications and Dimensions.....	3
Styles.....	3
Model Number.....	3
Mounting Instructions (Flush).....	4
Mounting Instructions (Casework).....	4
Mounting Instructions (Surface Mount).....	4
Mounting the Wall Panel.....	4
Circuit Output Configurations.....	5
Monitoring Configurations.....	5
Installing the Electrical Conduit.....	6
Wiring the Unit.....	6
Wiring Configurations.....	6
Operation of Unit.....	7
Equipment Maintenance.....	7

Patent 6,757,589 B1 / 6,990,393 B2 / 8,543,225. Other Patents Pending. All rights reserved.

**ISIMET** is a trademark of **ISIMET/MAPA, LLC**, an affiliate of **WCM Industries, Inc.**

This document is copyrighted. This document may not, in whole or part, be copied, duplicated, reproduced, translated, electronically stored, or reduced to machine readable form without prior written consent from **ISIMET**.

Although the material contained herein has been carefully reviewed, **ISIMET** does not warrant it to be free of errors or omissions. **ISIMET** reserves the right to make corrections, updates, revisions, or changes to the information contained herein.

**Warranty:**

**ISIMET** will repair or replace any defective parts or workmanship of the product for a period of one year from date of installation. The Primary Operating P.C. Board has a two year limited warranty. Damage caused by incorrect installation or improper usage is not warranted. Failure to follow recommended installation, operation, and/or maintenance procedures may void product warranty. Recovery rights shall be limited to the total sum of the amounts paid for the product by the purchaser.

**Limits of Liability:**

**ISIMET's** liability shall be limited to costs of repair or replacement parts. The Laboratory Service Panel and Utility Controller Systems are not intended for usage other than those expressly described in the provided manuals for each product. **ISIMET** shall not be liable for damage or injury caused by the improper use of the product.

**ISIMET** does not warrant against or assume liability for failure of operation or lack of notification to secondary integrated monitoring systems. The system should be thoroughly tested and adjustments made at time of initial operation. Periodic testing should be conducted by the user to assure that all components function and operate according to specifications.

Care should be taken in the installation of this product. **ISIMET** shall not be liable for damage or injury caused from the improper installation of the product.

**Warranty is Subject to Compliance with Specific Installation Requirements.**

**EXTENDED WARRANTY:**

**ISIMET** will extend the warranty period of the products when installation complies with all start up procedures and that a factory authorized agent either performs or is in attendance during start-up of the system(s). Controllers, Companion and Accessory Panels will be extended to a period of five years from date of installation. Except for **ISIMET** FLA, DLA, RLA and other Units where automation systems are not common, Control System(s) must be interfaced with a building automation system or other **ISIMET** approved time sequencing control for "non-use" system shutdown. All operating components of the system must be **ISIMET** provided. Prescribed routine maintenance procedures must be performed per **ISIMET** recommendations.

**All Start-up and Routine Maintenance Documentation shall be per Factory Recommendation.**

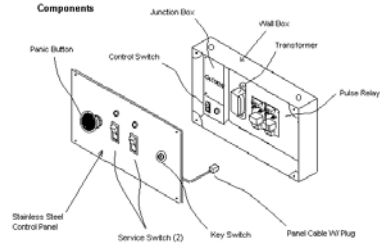
Further, required start-up and maintenance procedures must be performed as directed upon all affected systems. This warranty shall only become enforceable upon issuance of application specific Extended Warranty Document. A copy of this document should be maintained at all times at the location of the warranted systems.

**DISCLAIMER OF IMPLIED WARRANTY:**

**THERE ARE NO WARRANTIES THAT EXTEND BEYOND THE DESCRIPTION HEREIN. SELLER DISCLAIMS ANY IMPLIED WARRANTY OF MERCHANTABILITY OF THE GOODS OR OF THE FITNESS OF THE GOODS FOR ANY PURPOSE, AND BUYER AGREES THAT THE GOODS ARE SOLD "AS IS."**

**Specifications:**

- Control Panel - Stainless Steel 16 gauge  
9.875 X 16  
9.875 X 18 \* where 12 vdc output is provided
- Wall Box – 16 gauge powder coated sheet metal  
6.0 X 12.25 X 4.0  
6.0 X 14.25 X 4.0 \* where 12 vdc output is provided
- \* all dimensions are in inches



**Output Reset Switch: (Where Provided)**

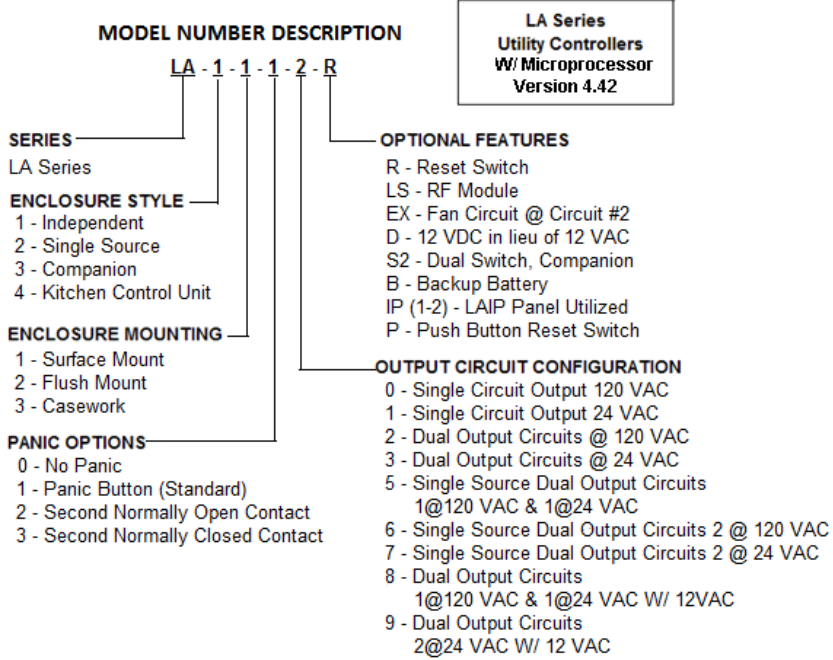
Reset Switches are specifically rated to accommodate output load requirements.

**Styles:**

- Independent – Unit performs as either a single or dual circuit Controller of a Utility(s) with limited single isolated input

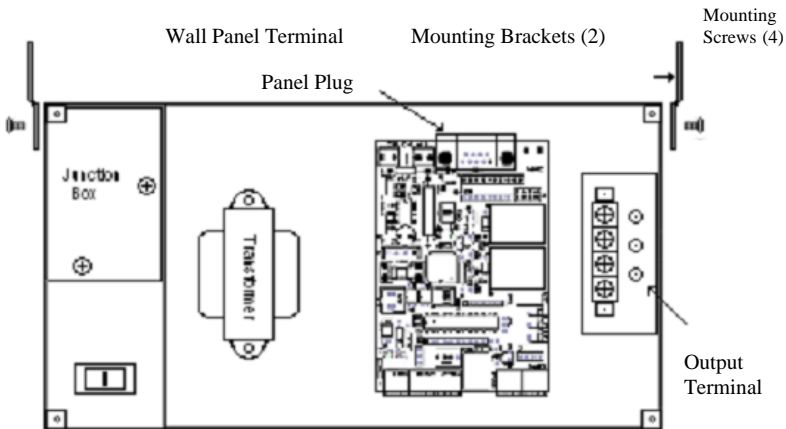
Styles	# Output Circuits	Trans-former	Panel Fuse	pcb Fuse 1	Output Rating (standard)	Relay Rating
LA -1 24 vac	1 @ 24 vac	2 amp	5 amp	2 amp	2 amp @ 24 vac	2 amp @ 24 vac
LA – 1, LA –2 & LA - 3	2 @ 24 vac	3 amp	5 amp	3 amp	3 amp @ 24 vac	2 @ 2 amp @ 24 vac

Output fuse on PCB, FUSE 1 is Slow Blow. PCB circuit fuse, FUSE 3 is 500 mA Fast Acting



NOTE: Output Configurations 5, 6, 7, 8 and 9 are intended to operate with specific operators and solenoids for applications such as Instructor's Demonstration Stations and Science Preparation Rooms. When Configurations 2 or 3 are specified with Single Source Units, then Outputs are typically provided as single switch operators with or without a Reset per each output.

Units with IP(X) Suffix are mounted within a 12X10X4 Enclosure with a Keyed Lock Solid Door Panel. Units with IP(2) combine two (2) LA Units within one enclosure with a single power switch and transformer to operate both LA Units within. Where the suffix "D" appears in the model number along with IP(2) then the units are housed within a 16X14X6 Enclosure.



### Mounting Instructions: Flush Wall Mount

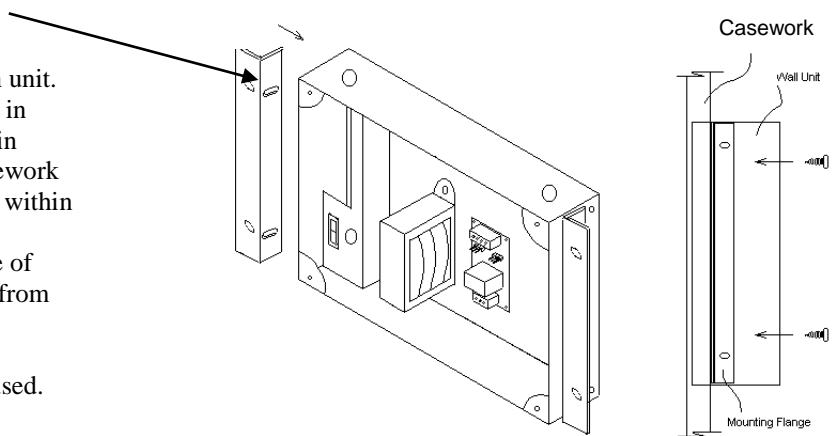
Two mounting flanges with screws are provided with the unit. Attach flanges as shown. Flanges can be affixed to any two corners of the unit. Then, fasten unit between two (2) wall studs. The face of the box should be even with the face of finished wall surface. After mounting unit, protect interior of box from construction debris.

**CAUTION:** Provided mounting hardware must be used.

### Mounting Instructions: Casework Mount

Two mounting flanges with screws are provided with unit. Holes are slotted to permit adjustments for variations in cabinet material thickness. Attach flanges as shown in figure above. Make cutout in desired location in casework to permit wall unit to pass easily into opening. From within the cabinet fit into opening and fasten unit to back of casework. Face of wall box should be even with face of cabinet. After mounting unit, protect interior of box from construction debris.

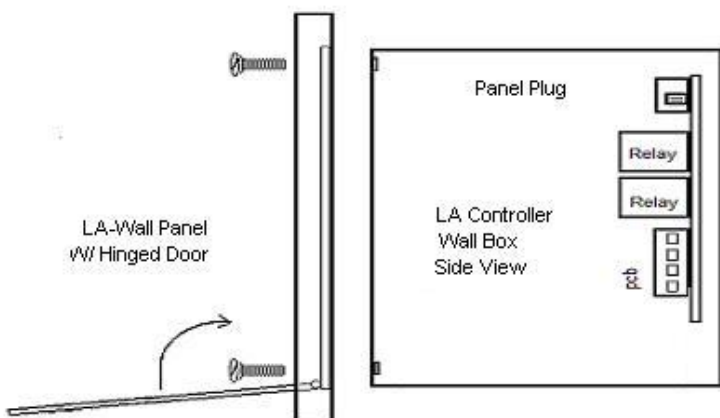
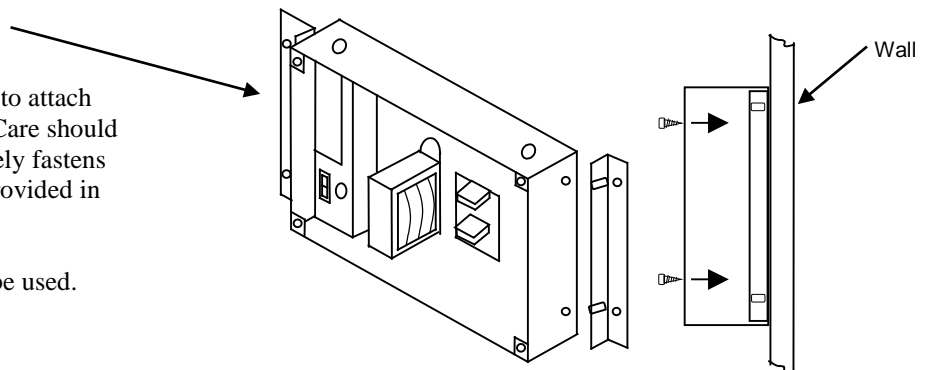
**CAUTION:** Provided mounting hardware must be used.



### Mounting Instructions: Surface Mount

In order to surface mount the unit, it is necessary to attach the provided brackets to the rear of the housing. Care should be taken to verify that the mounting means securely fastens the unit to the wall surface. A stainless skirt is provided in order to conceal the wall box from view.

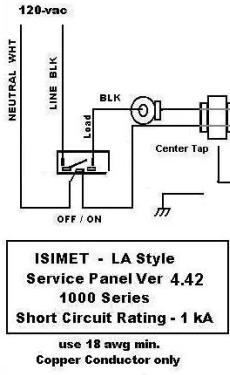
**CAUTION:** Provided mounting hardware must be used.



### Mounting the Wall Panel:

- Verify that Unit is wired with Junction box cover in place.
- With the Door open, position the Wall Panel over the Wall Box as shown.
- Holding panel in front of box, affix panel to box using four (4) 8-32 stainless screws
- Insert the cable connector into the socket on the pcb and tighten the screws.
- Close the panel and lock.

**CAUTION!** Do not install the panel until all wall finishes are complete.



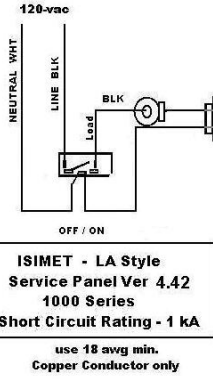
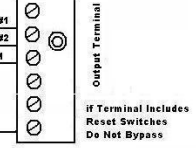
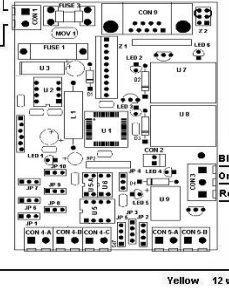
**Replacement Fuse Schedule**  
 FUSE 1 250 v - 2 or 3 amp slowblow  
 FUSE 3 250 v - 500 mA  
 Panel Fuse 250 v - 5 amp

**Dual 24-vac Circuits**  
**Output Terminal**  
**W/ 12-vac for**  
**Latching Solenoids**

- 1 - 24-vac
- 2 - 24-vac
- 3 - 24-vac
- 4 - 24-vac COM
- 5 - 12-vac
- 6 - Not Used

**Output Terminal**  
**Layout May Vary**

W/ 24-vac Output  
 and  
 W/ 12-vac Output

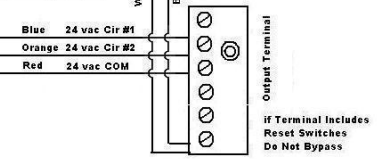
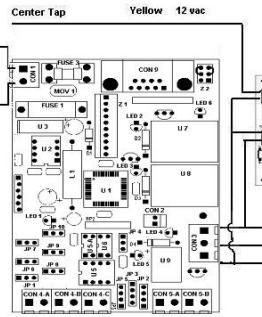


**Replacement Fuse Schedule**  
 FUSE 1 250 v - 2 or 3 amp slowblow  
 FUSE 3 250 v - 500 mA  
 Panel Fuse 250 v - 5 amp

**Dual 24-vac Circuits**  
**Output Terminal**  
**W/ 12-vdc for**  
**Latching Solenoids**

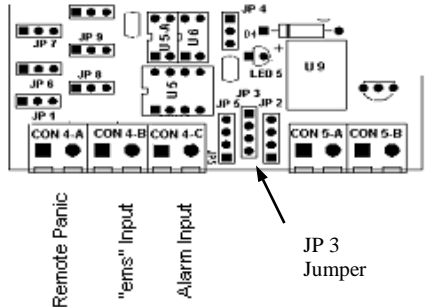
- 1 - 24-vac
- 2 - 24-vac
- 3 - 24-vac
- 4 - 24-vac COM
- 5 - + 12-vdc
- 6 - GND 12-vdc

W/ 24-vac Output  
 and  
 W/ 12-vdc Output



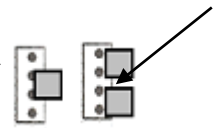
**Output Circuits**

Where Reset Switches are provided @ Output Terminal, DO NOT Bypass.  
 12-vac Output is intended for use W/ ISIMET Latching Solenoids located within an ISIMET S-Series Enclosure.  
 12-vdc Output is intended for use W/ free-standing ISIMET Latching Solenoids.  
 Care should be taken to insure that polarity is correct in order for 12-vdc solenoids to function as intended.



**JP3 for CON 5-A Output Monitoring Circuit**

Output Configuration Jumpers  
 @ Panic Output  
 1 jumper across center two posts = dry-contact.  
 2 jumpers across each pair of posts = 24-vac output



**WARNING!! Other pcb Jumper placements**

Other PCB Jumpers are factory configured specifically per project specifications. Refer to "Project Specific Jumper Configuration Chart" DOC # for descriptions of these settings..

### **Installing the Electrical Conduit:**

Knockout holes for connecting the electrical conduits are located at the top left and right of the Wall Box.

- Connect rigid conduit for the required 120-vac electrical service.
- Connect conduit for the operating power to the upper left top of the enclosure at the junction box.
- Connect conduit for the operating power for the output to the upper right top of the enclosure.

### **Wiring the Unit:**

#### **Important!**

**Verify that the electrical supply is disconnected prior to connecting wiring to the Utility Controller.**

To wire the Controller:

1. Remove the junction box cover.
2. Make final connections to the 120-vac electrical service to wiring within the junction box. Verify that line wiring (Black), neutral (White), and ground wire (Green) are correctly connected.  
Minimum recommended wire size is 14 AWG.
3. Replace the junction box cover before activating or testing the unit.

### **Output Wiring Configurations:**

The Unit is factory configured as either 24-vac or 120-vac outputs. One to four output terminals are provided based on specifications for the Unit. See page 5 for typical wiring schematics. Do not attempt to modify the unit to accept other than voltage outputs as specified for the unit. To replace a PC Board not configured correctly for a specific application, contact the factory or a local representative.

### **Optional Input Control circuit:**

“EMS” Input will either enable or disable the operation of the unit based on factory configuration settings. Alarm Input will disable the operation of the unit. Refer to Project Specific Jumper Configuration Chart, DOC # 14037 for Input and Operation Settings for these Inputs.

### **Optional Remote Panic Input Connection:**

An optional input from an ISIMET Remote Panic Assembly can be connected to the PCB at CON 4-a.

### **Optional Panic Output Terminal:**

A configurable Panic output is activated at CON 5. See configuration chart and location of this connector on page 5.

### **Connection of the Wall Panel Plug:**

The Unit is equipped with a 9 pin d-sub connector

- Turn counter-clockwise the two retaining clips at the top of the Panel, and open.
- Insert plug onto circuit header on PCB.
- Turn Power **ON**.
- Close the panel and lock.

**CAUTION!** Do not install the panel until all wall finishes are complete. Verify that the plug is configured correctly. Incorrect insertion will prevent operation of unit.

### **Important!**

**All local codes must be followed when installing this unit and connecting the conduit to the service panel and making wiring connections. Do not install wiring or cable for integrated systems, remote panic assemblies or other interface wiring within conduit for either 24-vac control or 120-vac line voltage. Each wiring system including outputs should be housed in independent conduit and not bundled with wiring for other systems. Failure to comply with these wiring specifics may create transient voltage at the pc board and cause system malfunction and/or failure. Only qualified craftsmen licensed within the governing jurisdiction to perform the work associated with this installation should install and/or service this equipment.**

## Operation of the Unit:

**CAUTION:** Having outlets such as Gas Turrets Open when Services are activated can result in injury or death. Verify that these outlets are closed prior to activating the unit.

With the panel service switch(s) ON, engage the Key-switch. The circuit(s) will activate and the panel Green LED(s) will illuminate to indicate that the services are active. After turning a switch OFF, it will be necessary to re-engage the Key-switch in order to reactivate the services.

After turning the switch OFF, it will be necessary to re-engage the key switch in order to reactivate the service. The Red LED(s) will illuminate when the service is OFF.

Pressing the panic button will deactivate the services. All Panel lights should illuminate with Panic.

Receipt of an Alarm Signal will deactivate the services. All Panel LEDs will illuminate and all output circuits will turn OFF.

Once in Panic or Alarm Modes the Key-switch must be engaged in order to reactivate service. The Alarm Signal must be withdrawn prior to reactivation.

Power to the solenoids should be turned OFF when utilities are not in service.

## Equipment Maintenance:

- ❑ The LA Series Controller should have semi-annual inspections.
- ❑ **ISIMET** recommends that you periodically conduct a brief test of the system to verify that the output circuit performs as intended.
- ❑ If examination of the unit indicates tampering, **ISIMET** recommends that you first review the installation and wiring portions of this manual prior to placing the unit in service.
- ❑ **ISIMET** recommends that when solenoids are operated by the unit, the piping systems be thoroughly flushed and cleaned and tested for leaks prior to placing the system into use. Periodic testing of these solenoids will assure that the piping system continues to function properly.

If you have any questions regarding the operation and maintenance of the Utility Controller, please contact an **ISIMET** Service Representative.

The enclosure has a NEMA 1 rating. It is not intended for use in wet areas. Exercise caution to prevent exposure of the interior compartment of the enclosure to moisture. If moisture is present within the enclosure, **ISIMET** recommends that the control switch be turned OFF, power be disconnected from the unit until the source of the moisture is determined, and all moisture is removed from the compartment.

The electronic controller (PCB) is sensitive to dust and other air-borne particles. Do not expose the interior compartment of the enclosure to dust. During the semi-annual inspection, if dust or other material is present, **ISIMET** recommends that you remove all foreign matter before operating the unit.

If the Unit fails to operate, **ISIMET** recommends that you check the power supply to the unit. With the control switch in the ON position, LED Fuse 1 should illuminate. If not, check the service breaker.

If the fuse is not damaged and the unit still does not function, contact **ISIMET** or your local Service Representative.

### CAUTION:

**ISIMET DOES NOT** recommend that service to emergency and/or safety devices, such as emergency showers and eyewashes, be controlled by the Utility Controller System or Solenoids. Such devices are intended to operate independent of restrictive authority operation, as is the case with the design of this unit. **ISIMET** makes available components for the monitoring of such safety devices. Please contact **ISIMET** regarding any questions regarding this type of application.

***ISIMET* believes that sole and local authority means that the primary operator or the instructors should have the sole authority to start and stop the utility services within the immediate area of use during normal usage. This should distinguish this type of operating environment from that where a single emergency shut-down device is located remotely from the areas of use. As an example, the *ISIMET* system is not specifically intended for use in applications where a master shut-down and re-instate device is located away from areas of normal use. *ISIMET's* opinion is that in such cases there is risk that the operator of the system during re-start may inadvertently activate utilities in an unoccupied area that is remote from the present occupancy, thus creating the risk of injury and/or fire where the utility is fuel gas.**



**ISIMET/MAPA, LLC  
PO Box 129 (Mailing)  
103 W. CJ Wise Pkwy  
Naples, Texas 75568-0129**

**Phone (866) 897-0737  
Fax (903) 897-0740**

**[www.ISIMET.com](http://www.ISIMET.com)**

**Innovative Systems  
Integrating  
Mechanical and Electrical  
Technology**